

Small Form Factor NAS Storage System



The Phalanx II is a rugged Small Form Factor (SFF) Network Attached Storage (NAS) computer system, specifically tailored for the avionic, military and rugged industrial market. The system offers the best utilization of Size, Weight and Power (SWaP) and adherence to Commercial Off the Shelf (COTS) standards in the industry.

The Phalanx II is designed for use in extreme environments. Utilizing a pair of military grade SSD storage devices the Phalanx II will support a variety of network based file systems that allow for multiple hosts to store and share information. Network connections are provided through five load balanced Gigabit Ethernet ports, and can support optional dual optical 10 Gigabit Ethernet ports for low EMI susceptibility.

Management is via a convenient web based GUI or CLI. System and storage health and performance monitoring capabilities include SMART, SNMP (read-only), and Email notification.

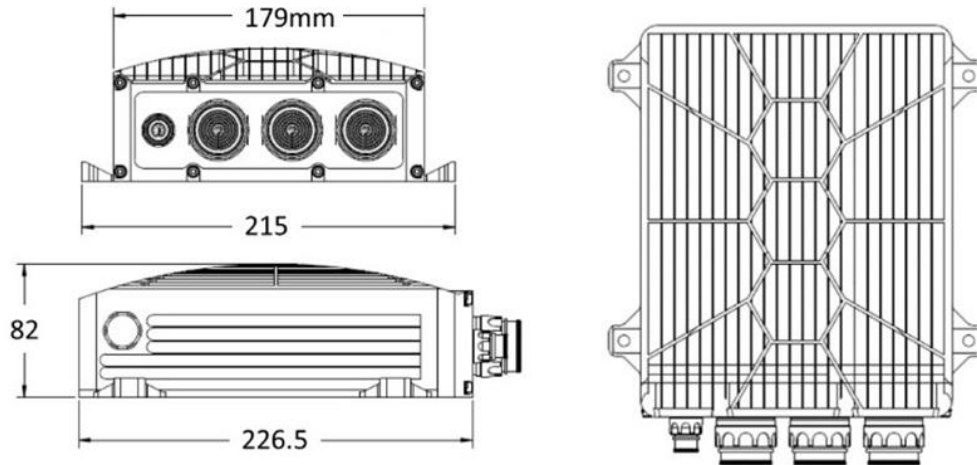
An optional dual removable storage bay is available for ready access to the storage media, allowing for fast data availability for ground station analysis, and quick mission turnaround.

FEATURES

- CPU: Intel Broadwell (Xeon v4) E3-1278L @ 2.0 GHz
- Memory: RAM 4GB, FLASH 64GB
- Video: 1x VGA, 2x or 3x DVI Video Output
- I/O: 5x GigE, 10GigE, USB 2 / 3, Serial (RS-232/422)
- 2x SATA III SSD Storage Mezzanine (Standard)
- Optional: 2x Removable SATA III SSD
- Capacity: 16TB Maximum
- Network Services: NFS (V3/V4), SBM/CIFS, FTP, TFTP, RSYNC, SSH
- Monitoring: SMART, SNMP, Email (Health/Perf.)
- File Systems: EXT3, EXT4, XFS, JFS
- RAID Levels: RAID 0 (Stripe), RAID 1 (Mirror)
- 38999 MIL Connectors (Standard)
- Weight: < 6lb.
- Power: 12-36VDC @ 25-75 Watts (Option Variable)
- Temp: -40°C to +71°C (Op.), -40°C to +85°C (Non-Op.)
- MIL-STD-810F, MIL-STD-461F, MIL-STD-704F/1275D



Small Form Factor NAS Storage System



Technical Specifications

Environmental Specifications

Condition	Specification	Condition	Specification
Operating Temperature	-40°C to +71°C	Storage Temperature	-40°C to +85°C
Relative Humidity	5% to 95% Non-Condensing		
Power (Ground)	12VDC to 36VDC MIL-STD-1275D	Power (Airborne)	12VDC to 36VDC MIL-STD-704E 50 ms Hold-up optional
Shock	30g Peak-Peak @ 11ms		
Vibration (Ground)	5Hz to 2000Hz, 2g Sinusoidal, 1Hr per Axis MIL-STD-810F Method 514.6	Vibration (Airborne)	5Hz to 2000Hz, 2g Sinusoidal, 1Hr per Axis MIL-STD-810F Method 514.6
EMI (Airborne)	MIL-STD-461F		