

KLONDIKE2020™ PLATFORM



for Flexible Data Center Consolidation

75%
Space Savings

50%
Weight Savings

60%
Power Reduction

Markets

- Government
- Healthcare
- Deep Learning
- Artificial Intelligence

Five Pillars

- Memory density
- Processing Efficiency
- Scalability
- SWaP reduction
- Cost Savings

20 PCIe Slots

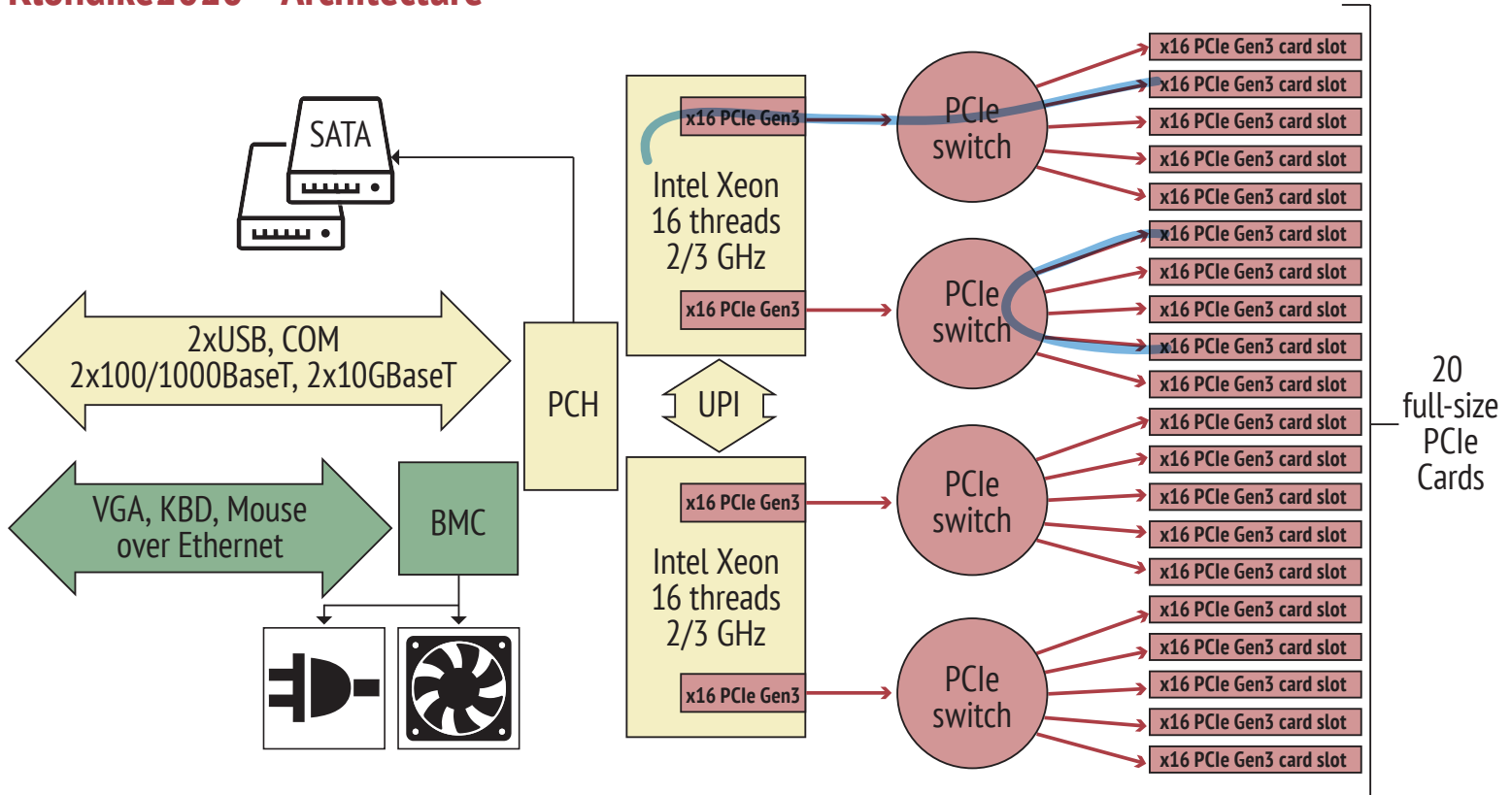
- Gen 3 x 16 lanes
- Network Adapters
- Storage
- GPUs
- FPGA / DSP
- Variable configurations



The **Middle Canyon Klondike2020™ Platform** 20-Slot PCIe Chassis features the highest density, smallest footprint in the world today. It is tailored to deliver speedy results for high workloads generated by Big Data and Analytics, Control & Signal Processing, Cyber Security, and Cryptocurrency Mining. Middle Canyon harnesses our deep industry knowledge to develop products that best suit our customers' extreme needs.

This platform suits Afloat, Airborne, Expeditionary and Commercial/Data center applications. Its SWaP architecture makes for most efficient use of space. The system memory can be configured as memory, storage or both. Comes fully configured for your application, or you can build up your own platforms. With the Klondike2020, there is no need to buy expansion PCIe chassis or servers; you get it all in one small, powerful package.

Klondike2020™ Architecture



Specifications

Model	Klondike2020™		
GPUs	20 single slot GPUs, storage & I/O cards or 10 dual slot GPUs*		
CPU	Dual Intel Skylake Xeon® Silver 4019T 2.0 - 3.0GHz or Gold 5120T 2.2 - 3.2GHz		
Max Power Req.	4x 2,000 watt N+1 hot swap power supplies, 8,000 watts total		
System Memory	from 64G DDR4 to 24TBs of DDR4 type NVMe flash		
Storage	2x 2.5" SSD space		
Network	Dual 10 GbE, 4 IB EDR, Infiniband / 100G with added I/O Ethernet card		
Software	Windows or Linux		
System Dimensions	20" D x 17.5" W x 4U H [508mm D x 444mm W x 131mm H]		
Operating Temp. Range	50° - 95°F [10 - 35 °C]		
System Weight			
Chassis (with 3 fan units and CPU)	Weight (Lbs)	Weight w/o packaging	Weight with packaging
1 PSU	40.67	46.44	56.27
2 PSUs	43.16	48.93	58.76
4 PSUs	48.12	53.89	63.72

* Extra power is supplied from the backplane via 8 or 6 pin short cable. Each slot has its own external power.



13469 Middle Canyon Rd., Carmel Valley, CA 93924
 (408) 718-7854 • middlecanyon.com • sales@middlecanyon.com