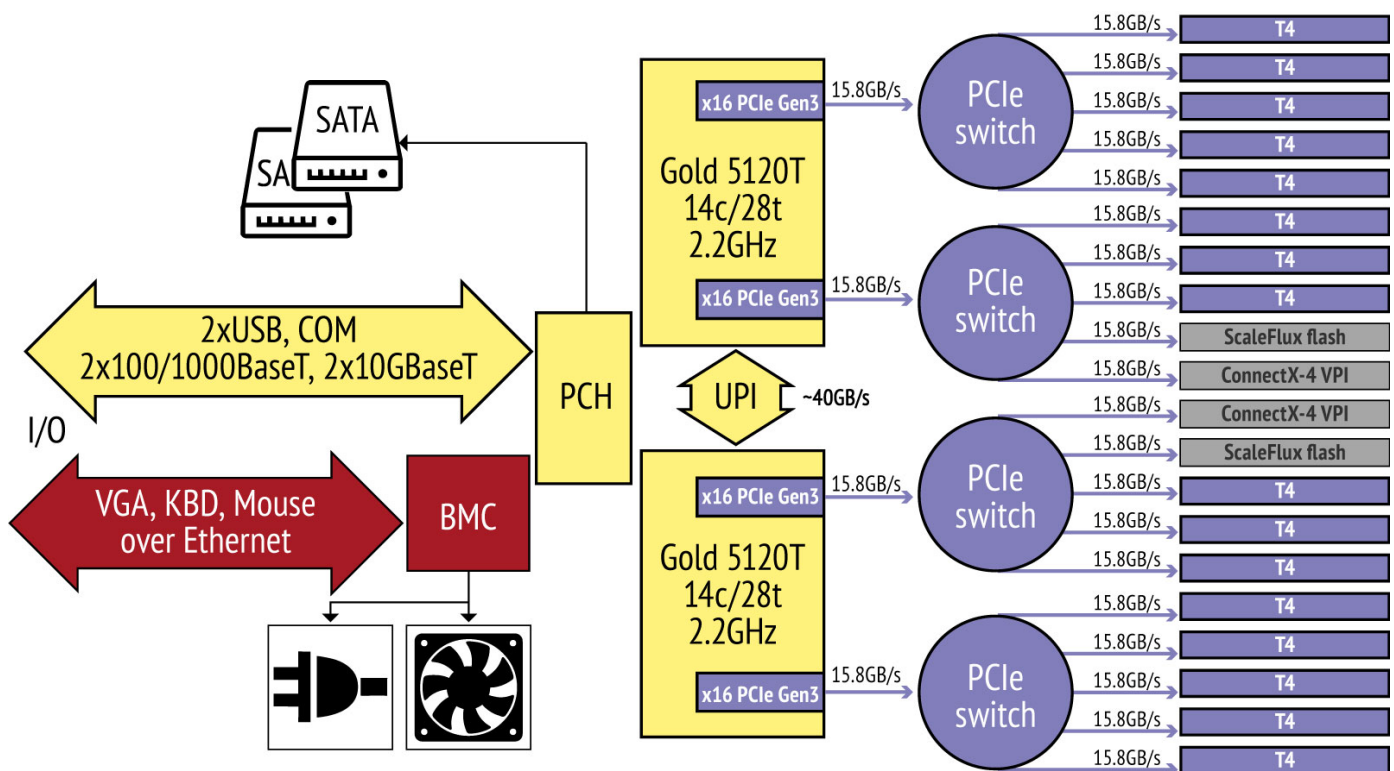




# MIDDLE CANYON

## Real-time Streaming Video Analytics

The **Middle Canyon Klondike2020™** can provide up to provide 20 NVIDIA T4 GPUs to support a wide range of modern applications including machine learning deep learning, and virtual desktops. For real-time streaming video analytics, a single Klondike2020 with 18x NVIDIA T4, 2x Mellanox ConnectX 4/5/6 adaptors, and 2x ScalefluxIO NVMe storage provides revolutionary multi-precision performance that accelerates deep & machine learning, training & inference, and video transcoding.





# MIDDLE CANYON

## Klondike2020 Overview

The **Middle Canyon Klondike2020** is a flexible high-density PCIe x3 Gen platform that supports NVIDIA Pascal and Volta architecture, GPU Direct (Mellanox ConnectX-3/4/5/6), High Density NVMe devices (ScaleFlux), and many other PCIe end devices. Klondike2020 revolutionary multi-precision performance that accelerates deep and machine learning training, inference, video transcoding, network protection and monitoring, and many other domains.

### Klondike (10) 50U Rack+

SX6036
Mgmt Switch
Klondike T4's
Klondike Flash
Klondike Network
Klondike V100's
Klondike RTX's
Klondike Combo
Klondike Combo
Klondike DIY
Klondike DIY
Klondike DIY
UPS

### NVIDIA GPUs



Up to 20 GPUs per Klondike. Fill Klondike with 20 T4 GPUs for multi-precision performance that accelerates deep and machine learning training and inference, video transcoding.

### Mellanox Network Cards



Up to 20 ConnectX-4/5/6 adaptor to support real-time cybersecurity analysis and firewall application.

### ScaleFlux PCIe-NVMe Flash Storage



Up to 20 NVMe storage devices with integrated FPGA. The FPGA provides LDPC error correction and supports compute engines that can be used to improve application performance through CPU offloading and reduced data transfers between the host and storage.

### Containers: Singularity and Docker



Klondike flexible design provides an ideal platform for cloud-centric data centers looking to consolidate and reduce life-cycle costs.

### Storidge's Container-I/O Storage orchestration



Automated integration for AI & ML Application volumes with Kubernetes and Docker Swarm